

KODEN

10.4-inch Color LCD
Marine Radar

MDC-2000A Series

Smart selection for safe navigation



Features

► Dual range display

Exclusive dual range radar function lets you have split-screen display of both long and short-range simultaneously. It is like having two radars in one.

► True Trail function

True Trail function clearly identifies moving targets from stationary targets like land or buoys.

SPECIFICATIONS

Antenna-Scanner unit

Model	MDC-2004A	MDC-2041A	MDC-2040A	MDC-2006A	MDC-2012A
Type	RB804	RB805	RB806	RB807	RB808
Antenna type	Radome		Open antenna		
Antenna length	1.2 feet	2 feet	3 feet	4 feet	6 feet
Output power (Peak)	4 kW		6 kW		
Output frequency	9410 MHz ± 30 MHz				
Horizontal beam width	5.9°	3.9°	2.5°	1.8°	1.8°
Vertical beam width	25°		22°		
Rotation	24 rpm or 48 rpm				24 rpm or 42 rpm
IF center frequency	60 MHz				
Range accuracy	8 meters or 1% of the range scale selected, whichever is the greater				
Bearing accuracy	1° or less				
Minimum detecting distance	Within 25 m				
Range resolution	Within 25 m				
Warm-up time	2 min				
Pulse width	0.08 μs, 0.15 μs, 0.3 μs, 0.5 μs, 1 μs				

Environmental

Operating temperature	-25°C to +55°C
Water protection	IPX6

Display unit

Model	MDC-2004A	MDC-2041A	MDC-2040A	MDC-2006A	MDC-2012A
Display unit	MRD-104A				
Display size and type	10.4" color TFT LCD				
Effective diameter	157.4 mm				
Display resolution	480 x 640 pixels (VGA)				
Off-centering	Max. 66%				
Echo area	2 types (Full screen, Inside of effective diameter)				
Basic ranges	0.0625 to 32 NM 0.0625 to 48 NM 0.0625 to 64 NM 0.0625 to 72 NM				
Range scales	0.0625 0.125 0.25 0.5 0.75 1 1.5 2 3 4 6 8 12 16 24 32 48 64 72				
Range ring interval	0.03125 0.0625 0.125 0.25 0.5 1 2 3 4 6 8 12 16 18				
Presentation modes	Head-up, North-up (True motion)***, North-up (Relative motion)*, Course-up (True motion)***, Course-up (Relative motion)*, Way Point-up**				
Indication system	PPI, PPI/PPI, PPI/NAV				
Video level	8 levels (colors)				
Range unit	NM, km, sm				
Alarms	Echo (IN / OUT), ATA / AIS (CPA / TCPA), etc.				
Functions	Interference rejection, Target expansion, VRM, EBL, Parallel index, Cursor position (Lat/Lon)***, Bearing (true*relative), Trail***, RGB Monitor output, Slave display monitor input/output, External Buzzer, Accepts CCD camera input, Dual display				
Input data format and sentences	NMEA0183 Ver 1.5 / 2.0 / 3.0 BEC, BWC, BWR, DPT, DBT, GGA, GLL, GNS, HDG, HDM, HDT, MTW, MWD, MWV, RMA, RMB, RMC, VHW, VTG, XTE				
Output data format and sentences	NMEA0183 Ver 2.0 TTM, TLL				
NMEA ports	Total 2: input and output				
ATA(TT)*** (Option)	50 targets				
AIS interface*** (Option)	100 targets				
Power supply	10.8 to 31.2 VDC				
Power consumption (24 VDC)	65 W or less		80 W or less	110 W or less	130 W or less

Environmental

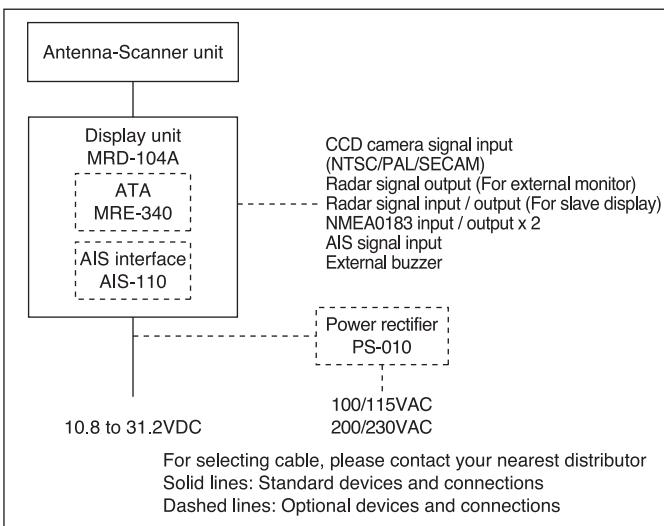
Operating temperature	-15°C to +55°C
Water protection	IPX5

* Requires bearing data input.

** Requires waypoint data, bearing and latitude / longitude data input.

*** Requires bearing data, ship's speed data and latitude / longitude data input.

CONNECTIONS



EQUIPMENT LIST

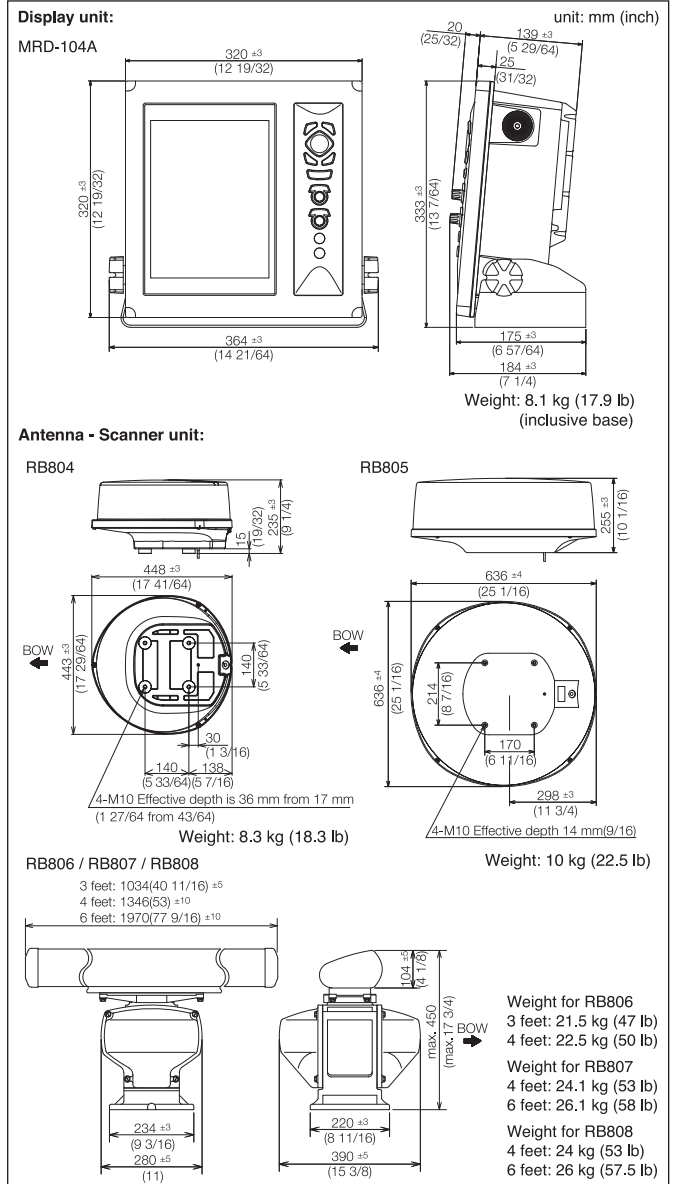
Standard Equipment

Antenna-Scanner unit	Radome	RB804	1.2 feet	4 kW	MDC-2004A
		RB805	2 feet	4 kW	MDC-2041A
	Open	RB806	3, 4 feet	4 kW	MDC-2040A
		RB807	4, 6 feet	6 kW	MDC-2006A
		RB808	4, 6 feet	12 kW	MDC-2012A
	Antenna	RW701A-03	3 feet, MDC-2040A		
		RW701A-04	4 feet, MDC-2040A / 2006A / 2012A		
		RW701A-06	6 feet, MDC-2006A / 2012A		
Display unit		MRD-104A	with hard cover		
Connecting cable		242J158055A-10M	10 m, MDC-2004A / 2041A		
		242J159098A-10M	10 m, MDC-2040A		
		CW-845-15M	15 m, MDC-2006A / 2012A		
DC power cable		CW-259-2M	2 m		
Operation manual, Quick reference, Installation material, Fuse					

Option

ATA, AIS interface, CCD camera cable, Gyro/Log interface, Power rectifier, AC power cable, Connecting cable

DIMENSIONS AND WEIGHT



* Design and specifications are subject to change without notice.



Koden Electronics Co., Ltd.

Tamagawa Office:

2-13-24 Tamagawa, Ota-ku, Tokyo, 146-0095 Japan

Tel: +81-3-3756-6501 Fax: +81-3-3756-6509

Uenohara Office:

5278 Uenohara, Uenohara-shi, Yamanashi, 409-0112 Japan

Tel: +81-554-20-5860 Fax: +81-554-20-5875

overseas@koden-electronics.co.jp

www.koden-electronics.co.jp



To ensure proper and safe use of the equipment, please carefully read and follow the instructions in the Operation Manual.

For details, please contact: