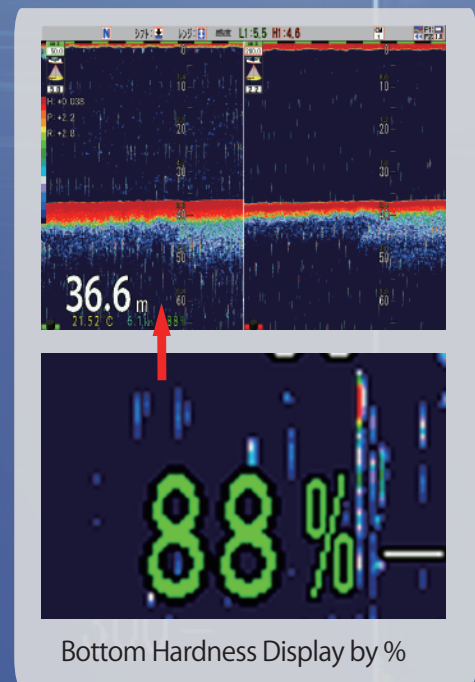
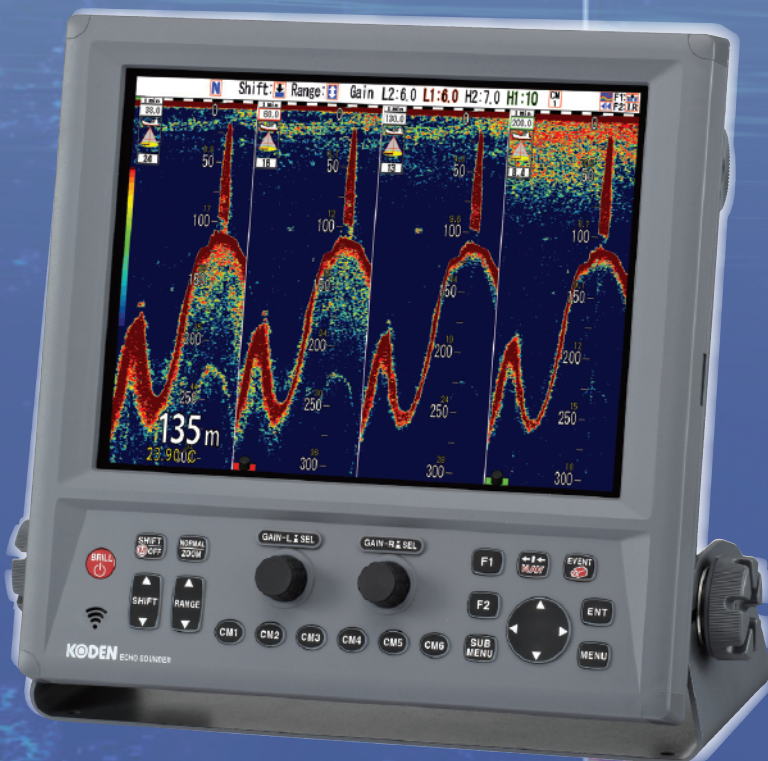


12.1-inch Color LCD Echo Sounder / Broadband **CVS-872D**

(((Broadband)))

Ultimate broadband sounder
with digital processing



Features

Simultaneous and variable quad frequency sounder enables clear target discrimination.

Four frequencies are selectable in 0.1 kHz step by using the dedicated transducer. Six Condition Memory keys for immediate calling of your preferred setups.

Extremely high resolution and low noise materialized by Koden Digital Filtering (KDF™) technology.

SPECIFICATIONS

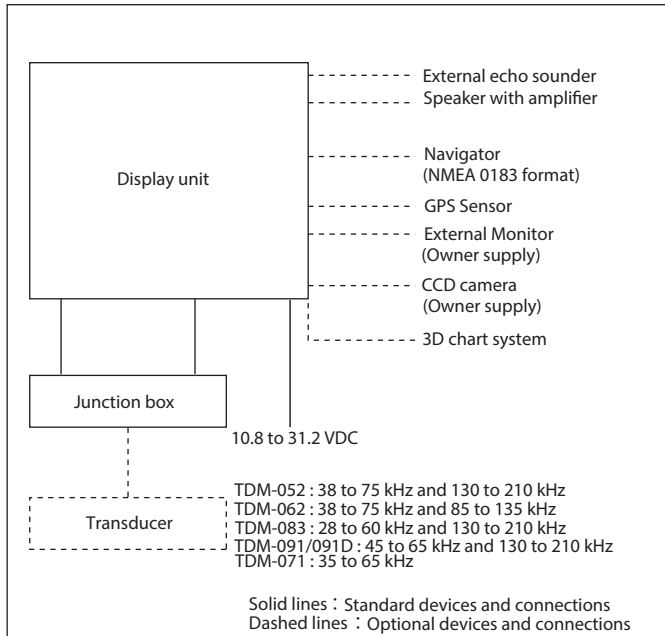
Model	CVS-872D	
Output power	3 kW	
Transducer	TDM-052A	TDM-062A
Output frequency (Transducer)	38 to 75 kHz and 130 to 210 kHz	38 to 75 kHz and 85 to 135 kHz
Selectable frequency range	24 to 240 kHz 0.1kHz step	
Output method	Simultaneous / Alternate	
TX rate	1500 times / minute at maximum (In case of single frequency, Range 2.5m and Interference rejection off)	
Display size and type	12.1 inch color XGA LCD	
Display resolution	1024 × 768 pixels(XGA)	
Basic range	1 to 3000 (m), 5 to 8000 (ft), 1 to 1700 (fm), 1 to 2000 (l. fm) (8 ranges can be set to users choice)	
Zoom range	1 to 260 (m), 5 to 960 (ft), 1 to 140 (fm), 1 to 180 (l. fm)	
Range unit	m, ft, fm, l.fm	
Shift	Max 3000(m), 6000 (ft), 1100 (fm / l. fm)	
Shift step	Selectable: Numerical value, Range ratio 1/5, Registered value (8 type), Shift digit input, Range dependent	
Presentation modes	High frequency, Low frequency, 1 to 4 frequency, Zoom image (Bottom lock, Bottom discrimination, Bottom zoom, Zoom, Bottom follow zoom), Nav mode, Vertical split, Horizontal split, Mix A-scope can be displayed at all above modes	
Presentation colors	64 colors, 16 colors, 8 colors, Monochrome	
Back ground colors	Marine blue, Blue, Dark blue, Black, White, Night mode, Other 4 colors	
Alarms	Bottom, Fish, Temperature*, Speed**, Arrival***, XTE***	
Image speed	12 steps & stop	
Functions	Interference rejection, Color erase, VRM, Noise reduction, White line, Draft correct, Water temperature correct, Boat speed correct, Store image (500 images), Sona-Tone™, Homing, Fishing Hot Spot, Event memory, Simple plotter, Panel illumination, Power reduction, External trigger, Detection area display, CM key, Water Temp. graph, Individual range operation, Individual shift operation, Heaving compensation	
Auto functions	Range, Shift, TVG, TX Power, White Line	
Function registration	A scope, Shift digit input, Interference rejection, Color rejection, Noise reduction, White line, Background color, TVG adjust, VRM interval, Image recall, Image swap, Image Title, Sona-Tone™, Nav start, Frequency, Event key usage, Key lock, Depth unit, Color tone, B.D. mode	
Language	Traditional Chinese, Simplified Chinese, English, French, Greek, Italian, Japanese, Korean, Spanish, Thai, Danish	
Input data format and sentences	NMEA0183 Ver.1.5 / 2.0 / 3.0 GGA, GLL, HDT, MTW, MWV, MWD, RMC, VHW, VTG, ZDA	
Output data format and sentences	NMEA0183 Ver.2.0 (DBT: Ver.1.5) DBT, DPT, GGA, GLL, HDT, MTW, MWV, RMC, TLL, VHW, VTG, ZDA	
NMEA ports	Total 2: input and output	
Power supply	10.8 to 31.2 VDC	
Power consumption	60 W or less (24V DC)	
Environmental		
Operating temperature	-15°C to +55°C	
Water protection	IPX5	
Store temperature	-30°C to +70°C	

* Requires data from Temp sensor

** Requires speed data from Speed sensor or GPS sensor

*** Requires data from GPS sensor

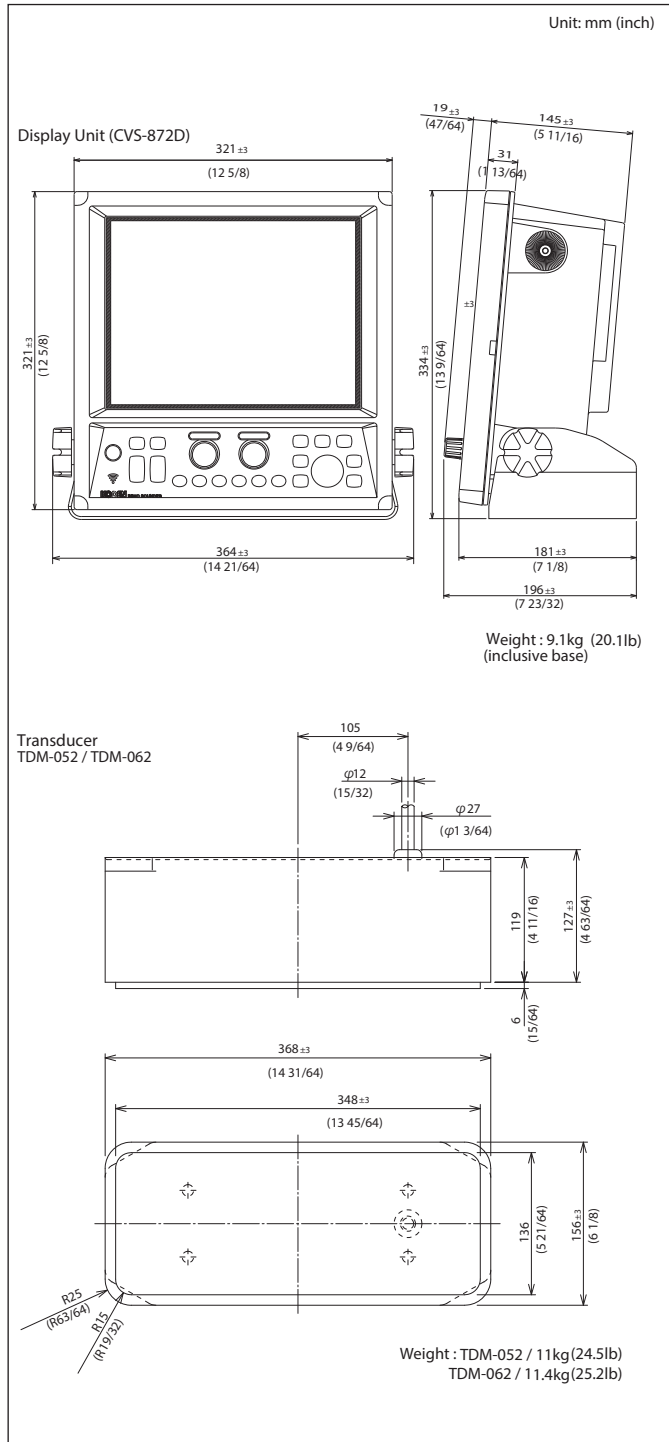
CONNECTIONS



EQUIPMENT LIST

Standard equipment	Display unit with hard cover, Mounting bracket	1 set
	DC power cable, Spare parts, Junction box, Operation manual, Installation manual, Quick reference	1 set
Essential option	Transducer	
Options	Connection cables for external devices, Power rectifier	

DIMENSIONS AND WEIGHT



• Design and specifications are subject to change without notice.

KODEN Kodan Electronics Co., Ltd.

Tamagawa Office:
2-13-24 Tamagawa, Ota-ku, Tokyo, 146-0095 Japan
Tel: +81-3-3756-6501 Fax: +81-3-3756-6509

Uenohara Office:
5278 Uenohara, Uenohara-shi, Yamanashi, 409-0112 Japan
Tel: +81-554-20-5860 Fax: +81-554-20-5875

overseas@koden-electronics.co.jp

www.koden-electronics.co.jp



Safety precaution

To ensure proper and safe use of the equipment, please carefully read and follow the instructions in the Operation Manual.

For details, please contact: