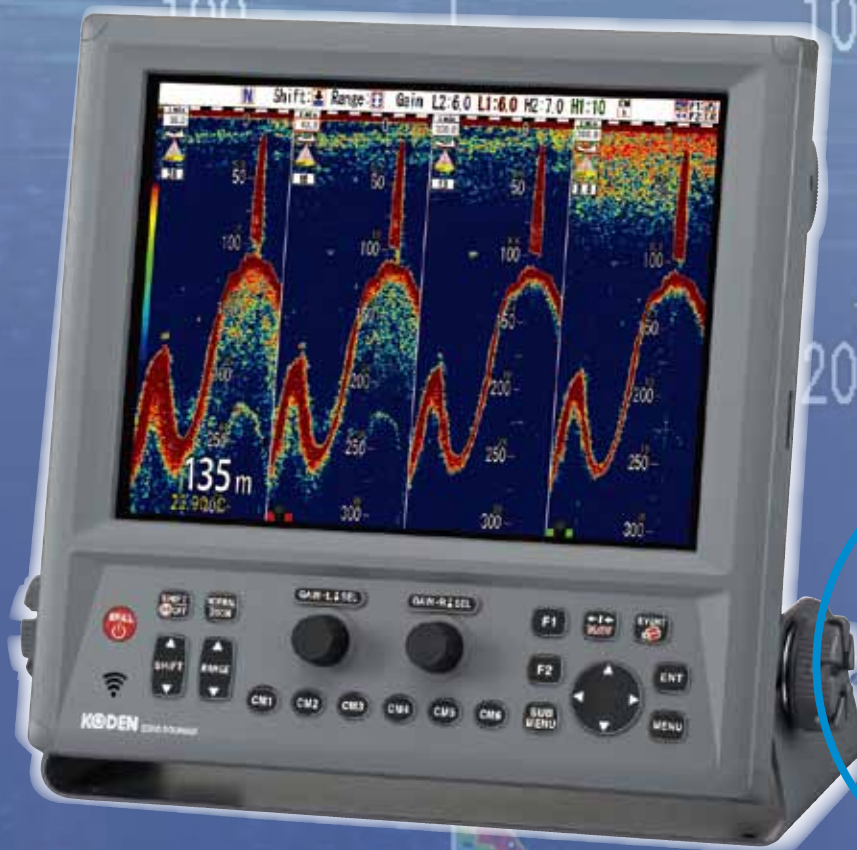


## 12.1-inch Color LCD Echo Sounder **CVS-FX1**

**(((Broadband)))**

**Ultimate broadband sounder  
with digital processing**



**Dedicated Transducer**  
TDM-052  
TDM-062



### **Features**

- World's first simultaneous quad frequency sounder
- Selectable frequencies of broadband transducer
- New function: Condition Memory for your preferred settings
- Extremely high resolution and low noise
- Bright and clear screen images by Koden Digital Filtering (KDF™) technology.

## SPECIFICATIONS

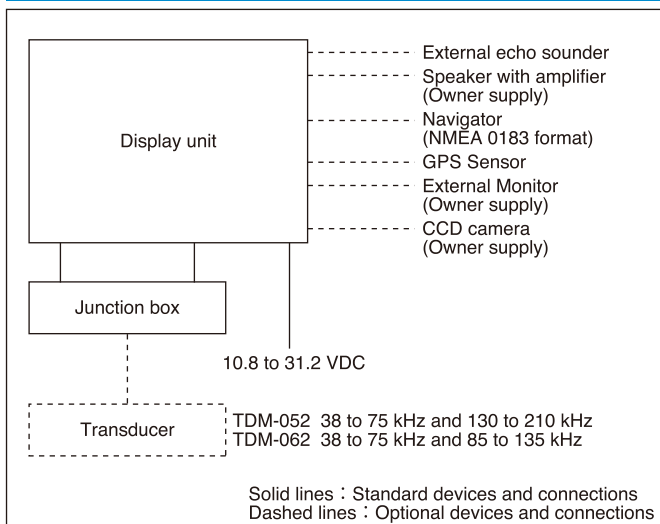
Model	CVS-FX1	
Output power (RMS)	3 kW	
Transducer	TDM-052	TDM-062
Output frequency (Transducer)	38 to 75 kHz and 130 to 210 kHz	38 to 75 kHz and 85 to 135 kHz
Selectable frequency range	24 to 240 kHz 0.1kHz step	
Output method	1 frequency: single, 2 frequency: simultaneous or alternate, 4 frequency: 2 frequency alternate	
Display size and type	12.1 inch color XGA LCD	
Display resolution	1024 x 768 pixels(XGA)	
Basic range	1 to 3000 (m), 5 to 8000 (ft), 1 to 1700 (fm), 1 to 2000 (l. fm) (8 ranges can be set to users choice)	
Zoom range	1 to 260 (m), 5 to 960 (ft), 1 to 140 (fm), 1 to 180 (l. fm)	
Range unit	m, ft, fm, l.fm	
Shift step	Selectable: 1m, Range ratio 1/5, Registered value (8 type), Shift digit input, Range dependant	
Presentation modes	High frequency, Low frequency, 1 to 4 frequency, Zoom image (Bottom lock, Bottom discrimination, Bottom zoom, Zoom, Bottom follow zoom), Nav mode, Vertical split, Horizontal split, Mix A-scope can be displayed at all above modes	
Presentation colors	64 colors, 16 colors, 8 colors, Monochrome	
Back ground colors	Marine Blue, Blue, Dark blue, Black, White, Nighttime color, Other 4 colors	
Alarms	Bottom, Fish, Temperature*, Speed**, Arrival***, XTE***	
Image speed	9 steps & stop	
Functions	Interference rejection, Color rejection, VRM, Noise reduction, White line, Draft correct, Water temperature correct, Boat speed correct, Store image (500 images), Sona-Tone™, Fishing Hot Spot, Event memory, Simple plotter, Panel illumination, Power reduction, External trigger, Detection area display, CM key	
Auto functions	Range, Shift, TVG, TX Power, White Line	
Language	English, Japanese, Korean and others	
Input data format and sentences	NMEA0183 Ver.1.5 / 2.0 / 3.0	
Output data format and sentences	GGA, GLL, HDT, MTW, MWV, MWD, RMC, VHW, VTG, ZDA	
NMEA input / output port(s)	2	
Power supply	10.8 to 31.2 VDC	
Power consumption	60 W or less (24V DC)	
<b>Environmental</b>		
Operating temperature	-15°C to +55°C	
Water protection	IPX5	

\* Requires data from Temp sensor

\*\* Requires speed data from Speed sensor or GPS sensor

\*\*\* Requires data from GPS sensor

## CONNECTIONS

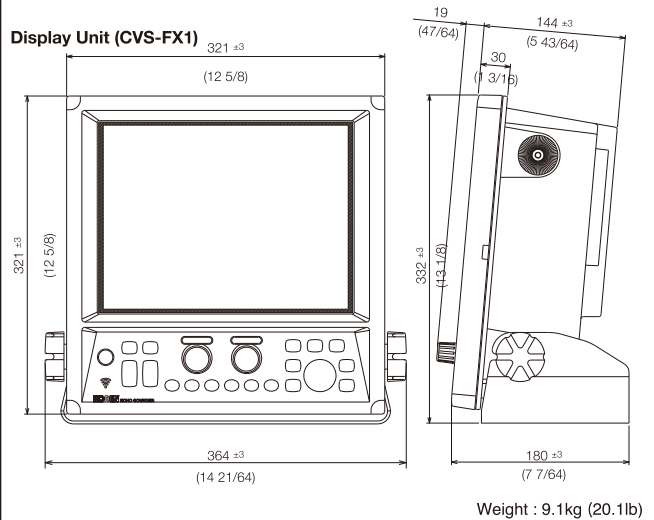


## EQUIPMENT LIST

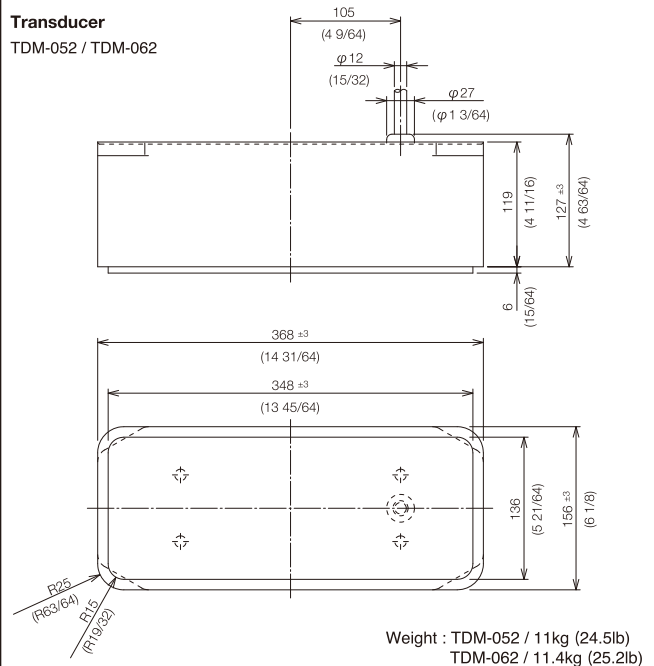
Standard equipment	Display unit with hard cover, Mounting bracket	1 set
	DC power cable, Spare parts, Junction box, Operation manual, Installation manual, Quick reference	1 set
Essential option	Transducer	
Options	Connection cables for external devices	

## DIMENSIONS AND WEIGHT

Unit: mm (inch)



Transducer  
TDM-052 / TDM-062



• Design and specifications are subject to change without notice.

**KODEN** Kodon Electronics Co., Ltd.

Tamagawa Office:  
2-13-24 Tamagawa, Ota-ku, Tokyo, 146-0095 Japan  
Tel: +81-3-3756-6501 Fax: +81-3-3756-6509  
Uenohara Office:  
5278 Uenohara, Uenohara-shi, Yamanashi, 409-0112 Japan  
Tel: +81-554-20-5860 Fax: +81-554-20-5875

overseas@koden-electronics.co.jp

[www.koden-electronics.co.jp](http://www.koden-electronics.co.jp)



**Safety precaution**

To ensure proper and safe use of the equipment, please carefully read and follow the instructions in the Operation Manual.

For details, please contact: